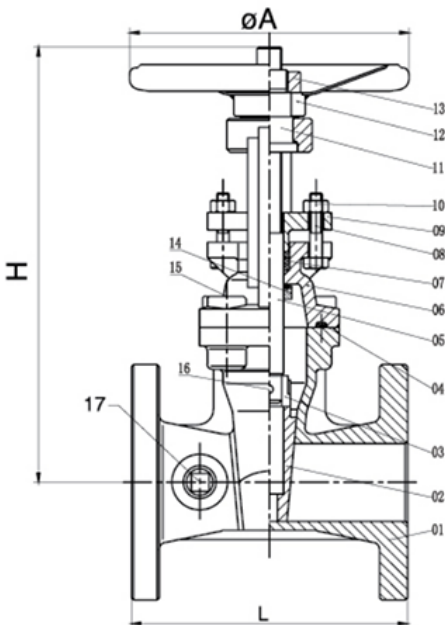


Material specifications

| Part | Specification | American standard |
|---------------------|---------------------|-----------------------------------|
| Nominal pressure | 300PSI (21 bar) | |
| Working temperature | 0°C +100°C | |
| Flange standard | | ANSI 125 |
| Coating | Epoxy | |
| Body | Ductile iron | ASTM A-536, grade 65-45-12 |
| Disc | Ductile iron + EPDM | ASTM A-536, grade 65-45-12 + EPDM |
| Stem | S.S.304 | ASTM A-276 |
| Sealing Kits | PTFE | ASTM D4745 |
| Handwheel | Steel | ANSI 1045 |
| Plug | Cast bronze | ASTM B62 |



| ITEM SIZE | L | H | ØA |
|-----------|-----|------|-----|
| 2" | 178 | 280 | 180 |
| 2-1/2" | 190 | 310 | 220 |
| 3" | 203 | 370 | 250 |
| 4" | 229 | 428 | 280 |
| 5" | 254 | 532 | 300 |
| 6" | 267 | 590 | 350 |
| 8" | 292 | 735 | 380 |
| 10" | 330 | 908 | 450 |
| 12" | 356 | 1150 | 450 |



UL EX15667

FM 1120



REV. OCT2022